



6-98



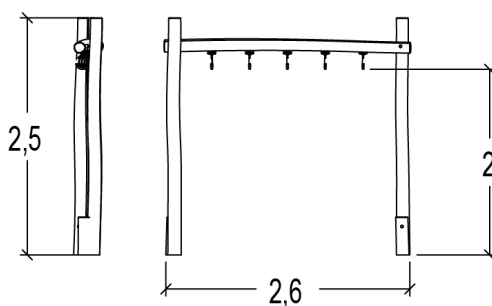
3



1,9m



1 = 2,6m  
2 = 0,28m  
3 = 2m



Play value : 2

getting across



x1

hanging



x1

## Components

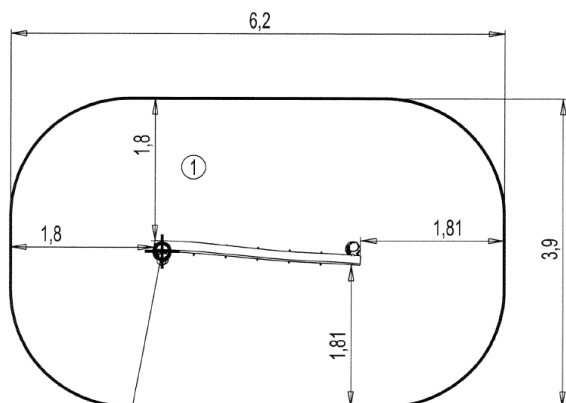
### 1 Swinging rings



## Installation of equipment

**IMPORTANT:** It is essential to refer to the installation instructions for information on the size of the safety areas.

- Impact area (minimum normative surface)
- Free space



Point de Référence  
Setting Out Point  
Punto de referencia  
Bezugspunkt  
Referentiepunt

1	1,9m
	22,5m <sup>2</sup>



2



02h00



0.13m<sup>3</sup>



22.5m<sup>2</sup>



117kg



35kg

EN  
1176

## Environmental Indicators

Repairability



/10

Carbon footprint



-0,29 KgCO<sub>2</sub>/Kg

Recyclable materials



99,99%

ECO materials: 81%

Recycled materials

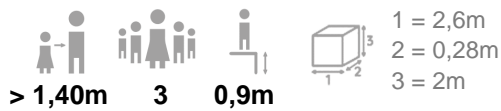


0,07%

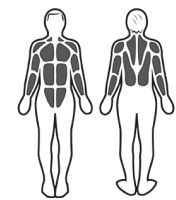
Bio-sourced materials



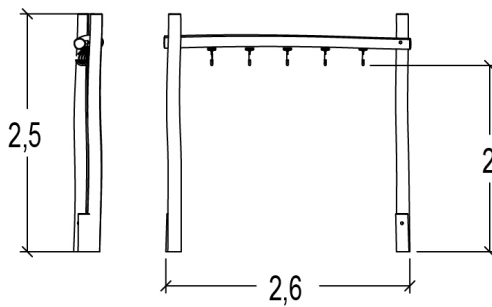
81,42%



Sports formula



Muscular stimulation



### ► Sports activities : 2

getting across

hanging



muscle strengthening

heart health

balance

coordination

### Components

#### 1 Swinging rings

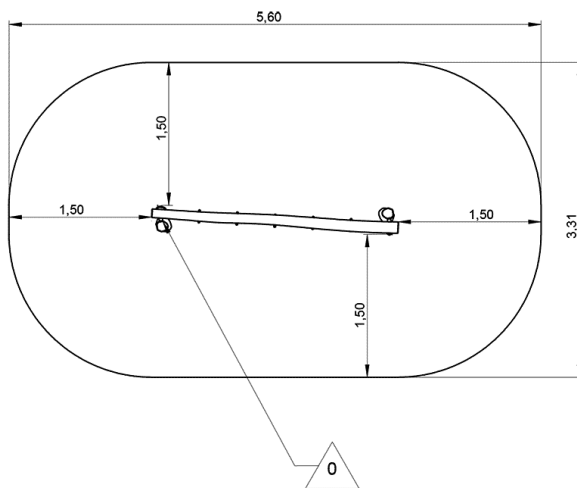


### Installation of equipment

**IMPORTANT:** It is essential to refer to the installation instructions for information on the size of the safety areas.

Impact area (minimum normative surface)

Free space



1	0,9m
	17m²



2



02h00



0.13m³



22.5m²



117kg



35kg



### Environmental Indicators

Repairability



/10

Carbon footprint



-0,29 KgCO<sub>2</sub>/Kg

Recyclable materials



99,99%

ECO materials: 81%

Recycled materials



0,07%

Bio-sourced materials



81,42%